

LED CURTAINS & HARDWARE
SALES - RENTALS - CUSTOM SIZES

"Every PixZel Tells a Story"

PIXZEL
EFFECTS

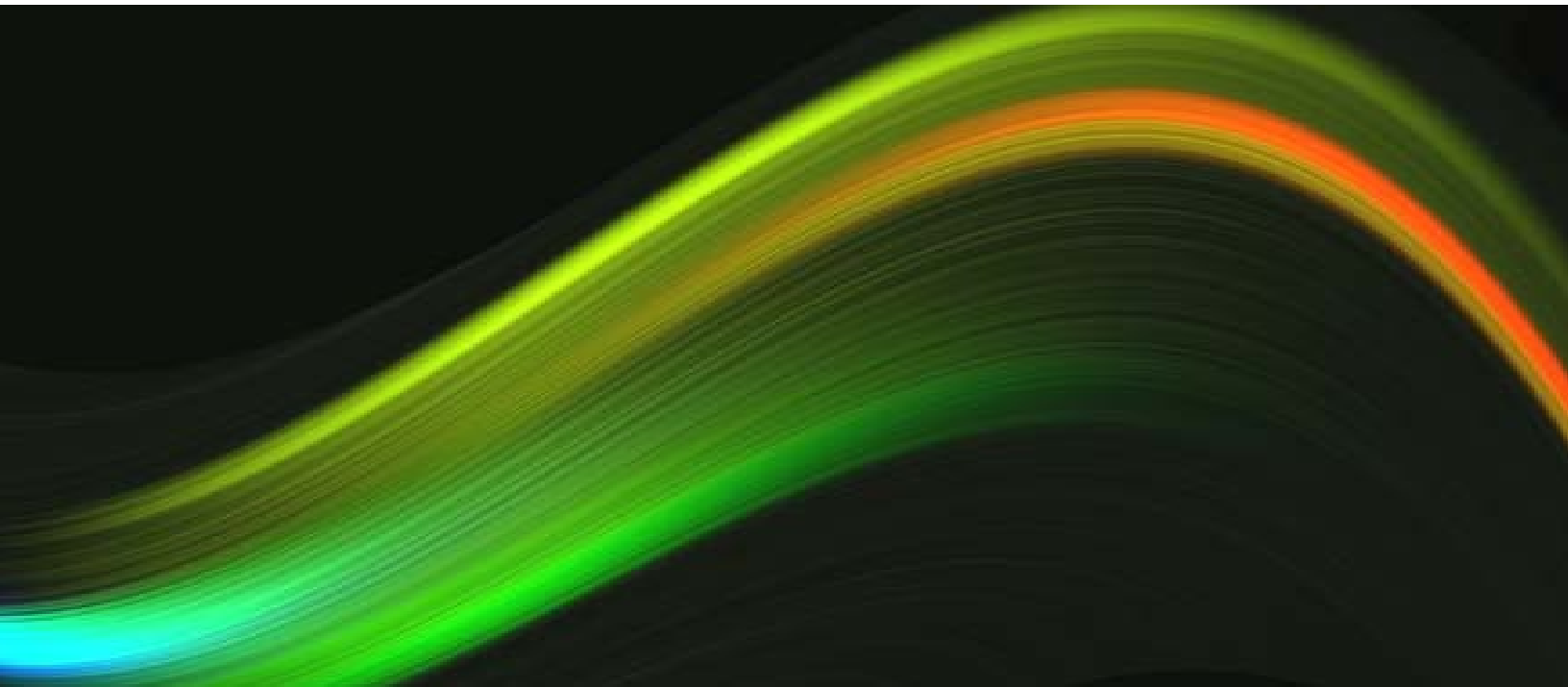
PIXZEL EFFECTS GUIDE

Contents

Company & Product Introduction.....	1
LED Curtains	
Z-Pix 18.....	2
Z-Pix 20.....	3
Z-Pix 25.....	4
Z-Pix 37.5.....	5
Z-Pix 50.....	6
Z-Pix 75.....	7
Z-Pix 100.....	8
Hardware	
PZ-101.....	9
PZ-801.....	10
PZ-801 (internal).....	11
PZ-820C.....	12
Software	
PZ-VJ Software.....	13
Configurations	
Professional Configuration Setup.....	14
Standard Configuration Setup.....	15
VJ Configuration Setup.....	16

Company & Product Introduction

This page is coming Soon.



Products - LED Curtains



Technical Parameters

Pixel Density: 3086 pixels/sq m

Pitch: 18mm

Weight:kg/sq m: 9.3

Weight:lbs/ft: 1.90

Optimal Viewing Distance: 15-30 ft

Consumed Power: 90W/sq.m.Max

Recommended Sizes: 2.3m (w)x 2.3m (h)

(7.6 ft x 7.6 ft)

128x128pix

*other sizes available

LED Refresh Rate: >600 Hz

Drive Mode: Constant Current

LED Mode: High Brightness RGB 3-in-1 SMD LED, 100,000 hour life

Working Voltage: AC 90-260V, 50-60 Hz

Brightness Level: 16

View Angle: 120 deg

Display Port: DVI

Display Mode: 1024x768, 1280x1024

Control Mode: VGA Synchronous Display

Working Temperature: -10 ~ 50C

Weather Protection: IP44

Ambient Relative Humidity: 10% ~ 90%



Technical Parameters

Pixel Density: 2500 pixels/sq m

Pitch: 20mm

Weight:kg/sq m: 7.8

Weight:lbs/ft: 1.60

Brightness (white): 3716 nits

Optimal Viewing Distance: 20-30 ft

Consumed Power: 70W/sq.m.Max

Recommended Sizes: 2.56m (w)x2.56m (h)

(8.4 ft x 8.4 ft)

128x128pix

*other sizes available

LED Refresh Rate: >600 Hz

Drive Mode: Constant Current

LED Mode: High Brightness RGB 3-in-1 SMD LED, 100,000 hour life

Working Voltage: AC 90-260V, 50-60 Hz

Brightness Level: 16

View Angle: 120 deg

Display Port: DVI

Display Mode: 1024x768, 1280x1024

Control Mode: VGA Synchronous Display

Working Temperature: -10 ~ 50C

Weather Protection: IP44

Ambient Relative Humidity: 10% ~ 90%



Technical Parameters

Pixel Density: 1600 pixels/sq m

Pitch: 25mm

Weight:kg/sq m: 7

Weight:lbs/ft: 1.43

Brightness (white): 1730 nits

Optimal Viewing Distance: 20-50 ft

Consumed Power: 45W/sq.m.Max

Recommended Sizes: 3.2m (w)x 2.4m (h)

(10.5 ft x 7.9 ft)

128x96pix

*other sizes available

LED Refresh Rate: >600 Hz

Drive Mode: Constant Current

LED Mode: High Brightness RGB 3-in-1 SMD LED, 100,000 hour life

Working Voltage: AC 90-260V, 50-60 Hz

Brightness Level: 16

View Angle: 120 deg

Display Port: DVI

Display Mode: 1024x768, 1280x1024

Control Mode: VGA Synchronous Display

Working Temperature: -10 ~ 50C

Weather Protection: IP44

Ambient Relative Humidity: 10% ~ 90%



Technical Parameters

Pixel Density: 711 pixels/sq m

Pitch: 37.5mm

Weight:kg/sq m: 4

Weight:lbs/ft: 0.82

Brightness (white): 770 nits

Optimal Viewing Distance: 35-100 ft

Consumed Power: 20W/sq.m.Max

Recommended Sizes: 3m (w)x 3m (h)

9.8 ft x 9.8 ft

80x80pix

*other sizes available

LED Refresh Rate: >600 Hz

Drive Mode: Constant Current

LED Mode: High Brightness RGB 3-in-1 SMD LED, 100,000 hour life

Working Voltage: AC 90-260V, 50-60 Hz

Brightness Level: 16

View Angle: 120 deg

Display Port: DVI

Display Mode: 1024x768, 1280x1024

Control Mode: VGA Synchronous Display

Working Temperature: -10 ~ 50C

Weather Protection: IP44

Ambient Relative Humidity: 10% ~ 90%



Technical Parameters

Pixel Density: 400 pixels/sq m

Pitch: 50mm

Weight:kg/sq m: 2.7

Weight:lbs/ft: 0.55

Brightness (white): 220 nits

Consumed Power: 12W/sq.m.Max

Recommended Sizes: 6.4m (w)x 3.2m (h)

21 ft x 10.5 ft

128x64pix

*other sizes available

LED Refresh Rate: >600 Hz

Drive Mode: Constant Current

LED Mode: High Brightness RGB 3-in-1 SMD LED, 100,000 hour life

Working Voltage: AC 90-260V, 50-60 Hz

Brightness Level: 16

View Angle: 120 deg

Display Port: DVI

Display Mode: 1024x768, 1280x1024

Control Mode: VGA Synchronous Display

Working Temperature: -10 ~ 50C

Weather Protection: IP44

Ambient Relative Humidity: 10% ~ 90%



Technical Parameters

Pixel Density: 177 pixels/sq m

Pitch: 75mm

Weight:kg/sq m: 2.5

Weight:lbs/ft: 0.51

Brightness (white): 220 nits

Consumed Power: 6W/sq.m.Max

Recommended Sizes: 6m (w)x 3.6m (h)

19.7 ft x 11.8 ft

80x48pix

*other sizes available

LED Refresh Rate: >600 Hz

Drive Mode: Constant Current

LED Mode: High Brightness RGB 3-in-1 SMD LED, 100,000 hour life

Working Voltage: AC 90-260V, 50-60 Hz

Brightness Level: 16

View Angle: 120 deg

Display Port: DVI

Display Mode: 1024x768, 1280x1024

Control Mode: VGA Synchronous Display

Working Temperature: -10 ~ 50C

Weather Protection: IP44

Ambient Relative Humidity: 10% ~ 90%



Technical Parameters

Pixel Density: 100 pixels/sq m

Pitch: 100mm

Weight:kg/sq m: 2.3

Weight:lbs/ft: 0.47

Brightness (white): 220 nits

Consumed Power: 3W/sq.m.Max

Recommended Sizes: 6.4m (w)x 3.2m (h)

21 ft x 10.5 ft

64x32pix

*other sizes available

LED Refresh Rate: >600 Hz

Drive Mode: Constant Current

LED Mode: High Brightness RGB 3-in-1 SMD LED, 100,000 hour life

Working Voltage: AC 90-260V, 50-60 Hz

Brightness Level: 16

View Angle: 120 deg

Display Port: DVI

Display Mode: 1024x768, 1280x1024

Control Mode: VGA Synchronous Display

Working Temperature: -10 ~ 50C

Weather Protection: IP44

Ambient Relative Humidity: 10% ~ 90%

Products - Hardware



Characteristic:

The characteristic of the sending and receiving card:

1. One sending card can control 1280 (width) by 1024 (height) pixels;
One receiving card can control 265 (width) by 128 (height) pixels;
Once sending card can control several receiving cards.
2. Configure various data of LED display intelligently.
3. Adjust the gray level casually from 0 to 65536.
4. Adjust the refresh level from 10Hz to 3000Hz.
5. 256 levels brightness is adjusted automatically.
6. One sending card can control several pieces of LED display, several LED screens can be joined casually which is synchronously or separately displaying.
7. The distance between sending card and receiving card can reach up to 140 meters.
8. Can display the following files,
 - Text, word file
 - All picture (BMP/JPG/GIF/PCX...)
 - All video (MPG/MPEG/MPV/MPA/AVI/VCD/DVD/SWF/RM/RA/RMJ/ASF/MOV...)



Characteristic:

Same function with sending card PZ-801, but lay out PC with independant power supply, 120V/220V is available, depend on requirement of customer.



Characteristic:

The characteristic of the sending and receiving card:

1. One sending card can control 1280 (width) by 1024 (height) pixels;
One receiving card can control 265 (width) by 128 (height) pixels;
Once sending card can control several receiving cards.
2. Configure various data of LED display intelligently.
3. Adjust the gray level casually from 0 to 65536.
4. Adjust the refresh level from 10Hz to 3000Hz.
5. 256 levels brightness is adjusted automatically.
6. One sending card can control several pieces of LED display, several LED screens can be joined casually which is synchronously or separately displaying.
7. The distance between sending card and receiving card can reach up to 140 meters.
8. Can display the following files,
 - Text, word file
 - All picture (BMP/JPG/GIF/PCX...)
 - All video (MPG/MPEG/MPV/MPA/AVI/VCD/DVD/SWF/RM/RA/RMJ/ASF/MOV...)



Characteristic:

The characteristic of the Switcher/Scaler

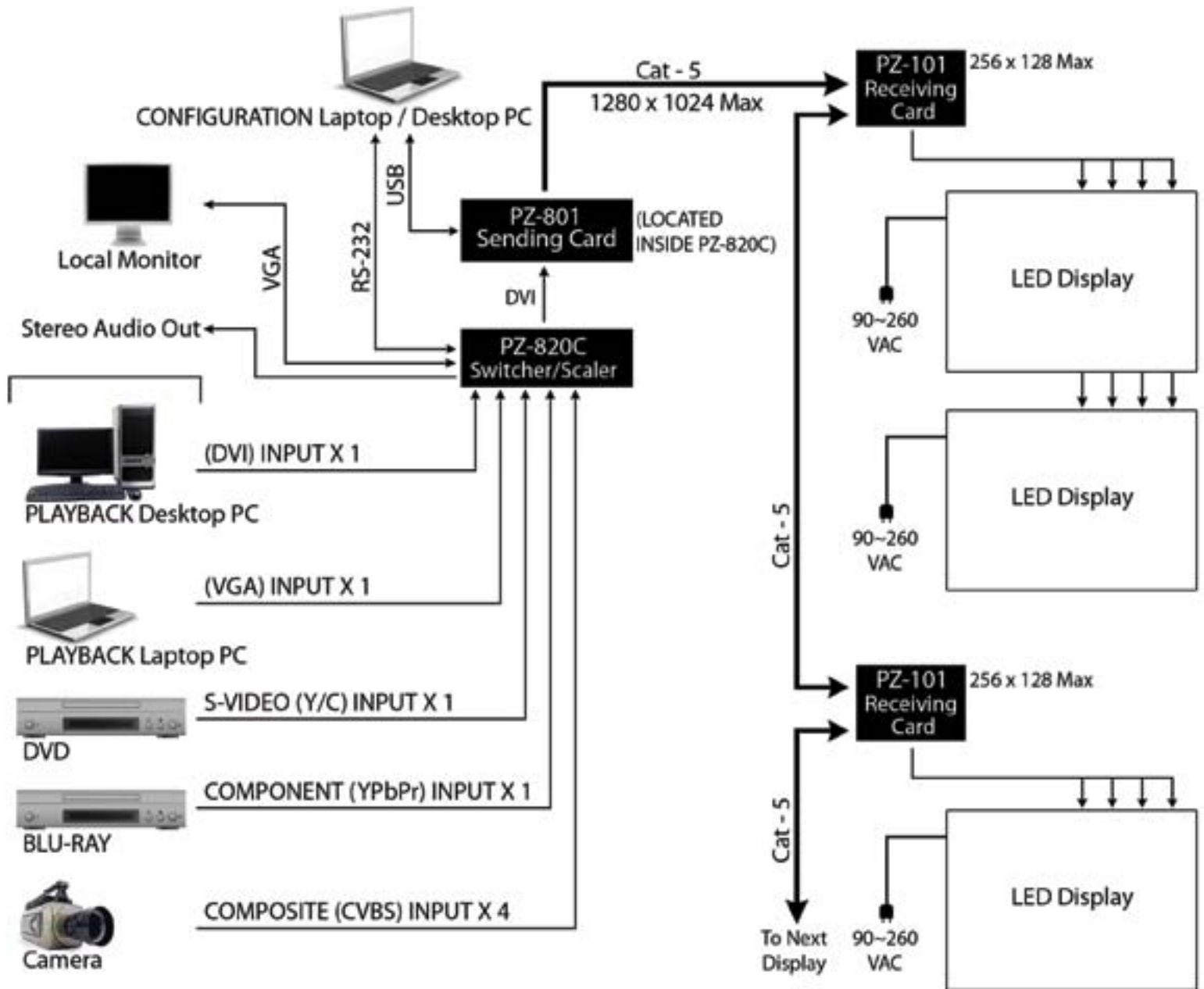
Products - Software



Characteristic:

- * Accepts movies, flash, pictures, and live camera input
- * Audio driven flash animations
- * Multiple screen output
- * Automated effect parameters
- * Up to six simultaneous effects
- * Mix up to three layers using 18 different overlay modes
- * User definable transitions and masks
- * Scratch Video
- * Control playback speed and direction
- * File browser with clip information and preview
- * TheaterMode support for ATI videocards

Configurations



PZ-820C Switcher/Scaler/Sending Card with PZ-101 Receiving Cards



PZ-820C Switcher/Scaler (with internal sending card)

1. The PZ-820C Switcher/Scaler/Sending card switches between 8 video inputs.
2. DVI-VGA-YPbPr-Y/C- plus 4 CVBS (composite) supported.
3. Output is DVI (to Sending Card).
4. Local VGA Monitor output.
5. Stereo audio is switched along with video.



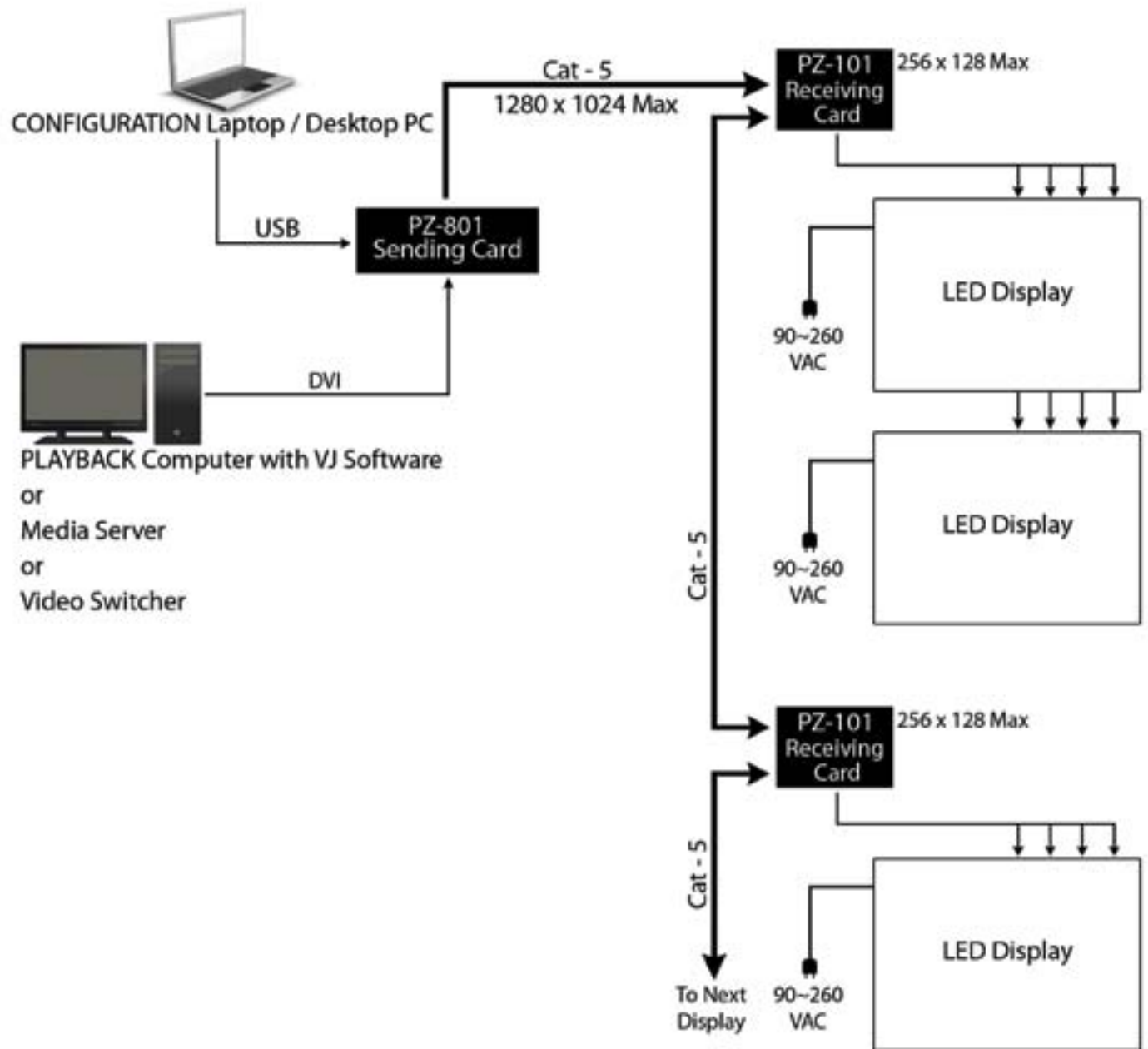
PZ-801 Sending Card (located internal to PZ-820C)

1. The PZ-801 Sending card controls 1280 (width) by 1024 (height) pixels.
2. One sending card can control multiple receiving cards.
3. Sending card allows intelligent configuration of receiving cards (on Cat-5 cable).
4. Setup is via software on PC connected to USB port.
5. Connection between sending card and receiving card is via Cat-5 cable and can extend to 140 meters!



PZ-101 Receiving Card

1. One PZ-101 receiving card can control 256 (width) by 128 (height) pixels.
2. Multiple receiving cards may be looped on Cat-5 cable.
3. Panels may be interconnected up to the capacity of receiving card.
4. Low voltage to receiving card is fed from LED drape.
5. Configuration is via Sending Card.



PZ-801 Sending Card / PZ-101 Receiving Card



PZ-801 Sending Card

PZ-801 Sending Card

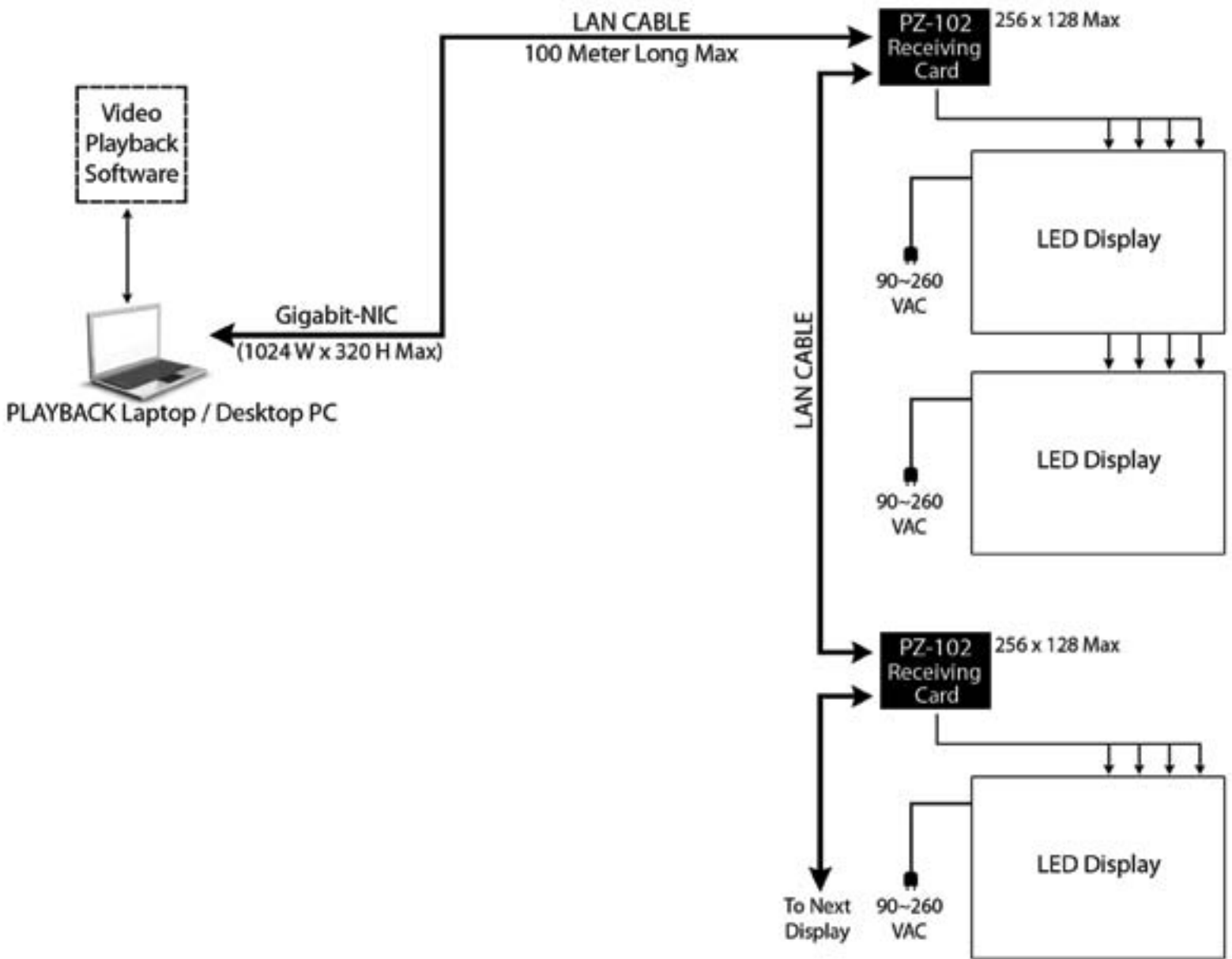
1. Input to PZ-801 Sending Card is via DVI.
2. The sending card controls 1280 (width) by 1024 (height) pixels.
3. One sending card can control multiple receiving cards.
4. Sending card allows intelligent configuration of receiving cards (on Cat-5 cable).
5. Setup is via software on PC connected to USB port.
6. Connection between sending card and receiving card is via Cat-5 cable and can extend to 140 meters!



PZ-101 Receiving Card

PZ-101 Receiving Card

1. One Z-101 receiving card can control 256 (width) by 128 (height) pixels.
2. Multiple receiving cards may be looped on Cat-5 cable.
3. Panels may be interconnected up to the capacity of receiving card PZ-101 receiving card.
4. Low voltage to receiving card is fed from LED drape.
5. Configuration is via Sending Card.



PZ-102 "Easy Video" LAN Receiving Card



PZ-102 Receiving Card

PZ-102 "Easy Video" LAN Receiving Card

1. Video content of PC is sent through the PC's GigaBit NIC port over LAN.
2. No need for video card and separate Sending Card.
3. The LAN system can control 1024 pixels (wide) by 320 (high).
4. Each PZ-102 card can control 256 pixels (wide) by 128 pixels (high).
5. Multiple receiving cards may be connected via LAN cable (up to 100 meters in length).
6. System can display multiple file types, including:
 - PICTURE: BMP/JPG/GIF/PCX...
 - VIDEO: MPG/MPEG/MPV/MPA/AVI/VCD/DVD/SWF/RM/RA/RMJ/AASF/MOV...



PIXZEL EFFECTS

9160 Zachary Lane North, Maple Grove, MN 55369

Phone: 612-605-4722 Fax: 612-605-1734

www.pixzeleffects.com